

# **PARTS MANUAL**

---

**C60Z (A478)**

**C80Z (A479)**

**CUSTOMER EDITION**

---

***HYSTER***



**SECTIONS**

<b>1</b>	<b>FRAME/DRIVE UNIT</b>
<b>2</b>	<b>ELECTRICAL SYSTEM</b>
<b>3</b>	<b>STEER HANDLE/BRAKE SYSTEM</b>
<b>4</b>	<b>LIFT LINKAGE AND FORKS</b>
<b>5</b>	<b>HYDRAULIC SYSTEM</b>
<b>6</b>	<b>OPTIONS</b>
<b>7</b>	<b>NUMERICAL INDEX</b>

This Parts Manual is divided into 7 major sections which are listed above. Quick reference to these sections can be made by placing the right thumb on the tab of the desired section, bending the book back and thumbing the pages to the corresponding tab.



**Thanks very much for your reading,  
Want to get more information,  
Please click here, Then get the complete  
manual**

**JustClickHere** 

**NOTE:**

**If there is no response to click on the link above,  
please download the PDF document first, and then  
click on it.**

**Have any questions please write to me:  
[admin@servicemanualperfect.com](mailto:admin@servicemanualperfect.com)**

**TABLE OF CONTENTS**

DESCRIPTION	PAGE
<b>B</b>	
BACK PAD	
PREMIUM .....	6-14
BATTERY COMPARTMENT	
GALVANIZED - A479 .....	1-2
BATTERY CONNECTOR .....	2-14
BATTERY RETENTION .....	1-7
BATTERY ROLLERS .....	6-10
BATTERY SPACER .....	6-12
<b>C</b>	
CASTER .....	1-8
CONTROL PANEL ASSEMBLY	
ARCTIC .....	2-2
CONVENIENCE TRAY	
WITHOUT LOAD BACKREST EXTENSION .....	6-16
COVERS AND FLOORMATS .....	1-6
<b>E</b>	
ELECTRIC BRAKE	
A478 .....	3-12
A479 .....	3-13
ELECTRICAL ASSEMBLY .....	2-6
<b>F</b>	
FOOT SWITCH .....	2-20
FORKS AND COMPRESSION RODS	
A478 .....	4-6
A479 .....	4-8
FOOD PROCESSING - GALVANIZED .....	4-4
<b>H</b>	
HAND BRAKE ASSEMBLY .....	3-10
HEAVY DUTY CASTER ASSEMBLY	
4/2005 → .....	6-6
HEAVY DUTY CASTER OPTION	
→ 4/2005 .....	6-4
HYDRAULIC ARRANGEMENT	
A478 .....	5-2
A479 (→ S/N A479N01524C) .....	5-4
A479 (S/N A479N01525C →) .....	5-6
HYDRAULIC POWER UNIT	
A478 .....	5-8
A479 (→ S/N A479N01524C) .....	5-10
A479 (S/N A479N01525C →) .....	5-12
<b>J</b>	
JUMPER WIRE ASSEMBLY	
PARKING BRAKE SWITCH .....	2-24

**TABLE OF CONTENTS (continued)**

<b>DESCRIPTION</b>	<b>PAGE</b>
<b>L</b>	
LABELS AND MANUAL .....	1-4
LIFT CYLINDER ASSEMBLY .....	5-14
LIFT CYLINDER ATTACHING PARTS .....	4-12
LIFT LINKAGE	
FOOD PROCESSING - A479 .....	4-2
LOAD BACKREST EXTENSION .....	6-8
LOAD WHEEL	
DUAL .....	6-9
DUAL OPTION .....	4-16
<b>M</b>	
MASTER DRIVE UNIT	
A478 .....	1-10
A479 .....	1-12
A479 (6/2008 →) .....	1-26
MASTER DRIVE UNIT ASSEMBLY	
A478 .....	1-14
A479 (→ 3/2004) .....	1-18
A479 (3/2004 ↔ 6/2008) .....	1-22
<b>O</b>	
OPERATOR TRAY .....	6-17
<b>S</b>	
SINGLE LOAD WHEEL	
FOUR BEARING .....	4-15
TWO BEARING .....	4-14
STEER HANDLE ARM ASSEMBLY .....	3-2
STEER HANDLE HEAD ASSEMBLY .....	3-4
STEER HEAD HEATER	
COLD STORAGE ONLY .....	6-2
SWITCH ASSEMBLY	
DIRECTION .....	3-8
<b>T</b>	
TRACTION MOTOR	
A478 .....	2-16
A479 .....	2-18
<b>W</b>	
WIRE HARNESS	
FOOT SWITCH .....	2-23
MAIN TRUCK .....	2-21
PUSH BUTTON .....	3-15
STEER HANDLE .....	2-22
STEER HANDLE CABLE .....	3-14

**ABBREVIATIONS QUICK REFERENCE SHEET**

Listed below are abbreviations used in parts manuals to denote the following expressions:

<b>TERM</b>	<b>DEFINITION</b>	<b>TERM</b>	<b>DEFINITION</b>
Amp	Amperes	FRE	Freezer Environment
AR	As Required	in.	inches
BDI	Battery Discharge Indicators	LPG	Liquefied Petroleum Gas
BWI	Brush Wear Indicator	MAP	Manifold Absolute Pressure
CE	Communicator End	mm	millimeters
CRE	Corrosive Environment	MSTS	Microprocessor Spark Timing System
D/B	Date Break	NPT	National Pipe Threads
dbA	Decibel "A" Scale	O/S	Oversize
DE	Drive End	PTO	Power Take Off
ECH	Empty Container Handler	RPM	Revolutions per Minute
ECH-3	Empty Container Handler - 3 High Stacking	S/N	Serial Number
ECH-4	Empty Container Handler - 4 High Stacking	TMM	Truck Management Module
ECH-5	Empty Container Handler - 5 High Stacking	UL Type D	Diesel-Powered Safety Rating
ECH-6	Empty Container Handler - 6 High Stacking	UL Type DS	Diesel-Powered Safety Rating
ECH-7	Empty Container Handler - 7 High Stacking	UL Type E	Battery-Powered Safety Rating
ECM	Electronic Control Module	UL Type EE	Battery-Powered Safety Rating
ECN	Engineering Change Notice	UL Type ES	Battery-Powered Safety Rating
EEPROM	Electrically Erasable Programmable Read Only Memory	UL Type G	Gasoline-Powered Safety Rating
EPA	US Environmental Protection Agency	UL Type GS	Gasoline-Powered Safety Rating
EPROM	Electrically Programmable Read Only Memory	UL Type LP	Gas-Powered Safety Rating
		UL Type LPS	LP Gas-Powered Safety Rating
		U/S	Undersize
		UL	Underwriters Laboratory
		V	Volts



## HOW TO USE THE ILLUSTRATED PARTS MANUAL

This parts manual describes and illustrates assemblies, subassemblies, and detail parts needed for service replacement.

The different constructions are indicated by keys and footnotes. The callouts correspond to descriptions found on the next page.

**HYSTER** UNIT CODE D001 NORTH AMERICA 06/2001

**TABLE OF CONTENTS**

DESCRIPTION	PAGE
AIR INTAKE AND FILTER DIESEL (⇒ D/B 11/98)	3-22
AIR INTAKE AND FILTER DIESEL (D/B 11/96 ⇒)	
AIR INTAKE AND FILTER GASOLINE AND LPG	
ALTERNATOR GASOLINE, LPG, AND DIESEL	
ALTERNATOR TYPES GS, LPS, AND DS	
AUXILIARY FUNCTION TUBE TWO AND THREE STAGE FULL F	

**SECTION 13 NUMERICAL INDEX**

PART NO.	PAGE NO.	ITEM NO.	PART NO.	PAGE NO.	ITEM NO.	PART NO.	PAGE NO.	ITEM NO.	PART NO.	PAGE NO.	ITEM NO.
142	3-4	19	10-13	25		11-27	29	12-31	12		
12445	3-32	19	10-17	6		11-31	25	16719	3-36	5	
	3-34	1	10-27	11		11-32	37	16751	3-16	27	
			11	11		9-7	9	16849	3-34	21	
			12	6	16485	8-4	29		3-38	20	
			13	13		8-4	45	16863	3-28	17	
			14	6		8-8	34	16865	3-6	18	
			17	17		9-7	9		4-27	41	
			19	10		9-11	17	16882	9-7	30	
			23	46		10-9	21		9-11	27	
			27	46		10-9	28		10-10	36	
			26	14		10-9	28		10-13	32	
			28	14		10-13	16		11-7	24	
			50	14		11-7	19		11-9	17	

**SECTIONS**

- 1
- 2
- 3
- 4
- 5 BRAKE/ACC
- 6
- 7 MAST-TWO STAG
- 8 MAST-THREE ST
- 9 MAST-TWO ST
- 10
- 11

**TRANSMISSION HOUSING** ⇒ S/N D001H-2628

KEY:  
A: Diesel  
B: Gasoline and LPG

ITEM	PART NO.	DESCRIPTION	QTY	
			A	B
1	202547	Transmission	1	1
2	2023329	Transmission	1	1
3	2021670	Case	2	2
4	2023418	Bearing Cap	4	4
5	296429	Washer	4	4
6	293947	Bolt	1	1
7	2021390	Cover	2	2
8	1371656	Colter Pin	4	4
9	2021915	O-Ring	1	1
10	2021329	Plug	4	4
11	2021675	Housing	22	22
12	2021336	Pin	39	39
13	287860	Lockwasher	1	1
14	292682	Hydraulic Pump	1	1
15	2021345	⇒ Figure 5-3	1	1
16	214364	Gasket	8	8
17	296418	Bolt	1	1
18	2021388	Washer	1	1
19	2021389	Temperature Switch	1	1
20	2021383	Breather	9	9
21	292515	Dipstick	9	9
22	136692	Bolt	2	2
23	292527	Nut	3	3
24	292531	Bolt	3	2
25	292583	Capscrew	4	4
26	293637	Lockwasher	4	4
27	296420	Lockwasher	4	4
28	296420	Bolt	1	1
29	296420	Washer	1	1
30	996403	Transmission Kit (Includes Item 7)	1	1
31	996405	Transmission Kit (Includes Item 14)	1	1

This Parts Manual is divided into 11 major sections which are listed above. Quick be made by placing the right thumb on the tab of the desired section, bending the pages to the corresponding tab.

© Copy Right Date HYSTER COMPANY See Service Manual for service procedures. 5-15

HP990004

## HOW TO FIND THE DESIRED PART NUMBER

### WHEN THE PART NUMBER AND THE NEXT HIGHER ASSEMBLY IS NOT KNOWN:

1. Determine the function and application of the part required. Turn to the Sections Page. Choose the general area of reference most likely to include the part.
2. Turn to the section you chose. Use the Section Table of Contents to determine the assembly which would normally contain the part required. Then locate the part on the assembly breakdown page.

### WHEN THE PART NUMBER IS NOT KNOWN AND THE NEXT HIGHER ASSEMBLY IS KNOWN:

3. Determine the assembly the required part is used on. Turn to the Table of Contents (Page i).
4. Locate the assembly the required part is used on and turn to the page indicated for that assembly. Then locate the part on the assembly breakdown page.

### WHEN THE PART NUMBER IS KNOWN:

5. Use the Numerical Index (Page 7-1) to find the part number. Turn to the page listed and locate the part as indicated by the item number.

### GENERAL:

The assembly breakdowns include part numbers, descriptions, quantities required, keys and footnotes to help in selecting correct parts.

6. Parts Supersession Information. Part numbers that have this history will be displayed in the parts list in the order that they were superseded (from oldest to newest). The superseded part numbers will be shown with a line through them.

Five periods in the PART NO. column (. . . . .) indicate that the part is either *Not Serviced Separately* or there is a reference to another figure. A figure reference is denoted by a pointing hand followed by a figure number in the DESCRIPTION column (☞ Figure 10)

7. Keys are used to show two or more similar assemblies, RH and LH assembly parts, etc. Select the appropriate key, "A", "B", "C", "D", or "E" and the corresponding quantity column to find the required parts. Two periods in the QTY column (..) indicate that the part is not used for that assembly.
8. Indented descriptions under the DESCRIPTION column are used to indicate assemblies and

subparts of assemblies. In the example on the previous page, *BEARING CAP* (Item 2) is a subpart of the major assembly *CASE*.

9. Quantities shown are for one assembly. The quantities of the subpart *BEARING CAP* are indicated as two and two. This means two per *CASE* assembly.
10. Serial number breaks identify the most current parts information and are shown as follows:
  - **S/N D001H2628**  
Indicates last serial number affected.
  - S/N D001H2629** →  
Indicates the first serial number affected.
  - S/N D001H1553** ↔ **S/N D001H3291**  
Indicates a range of serial numbers affected.

ECN numbers for pending serial numbers are shown to allow for the inclusion of the most current parts information and are identified as follows:

→ **S/N Pending Per ECN 63243**

Indicates a pending serial number for last unit affected.

**S/N Pending Per ECN 63243** →

Indicates a pending serial number for first unit affected.

Date breaks are used to indicate when a change occurred but a subsequent serial number break was not recorded. This is an arbitrary date usually based on the ECN release and are identified as follows:

→ **D/B 3/00**

Indicates that a change occurred sometime within that month for the item affected.

**D/B 3/00** →

Indicates that a change occurred sometime within that month for the item affected.

**D/B 3/00** ↔ **D/B 4/00**

Indicates a range of production dates of the item affected.

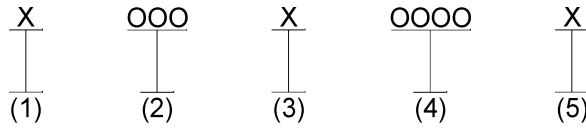
Contact your local dealer for Hyster lift trucks for serial number information for items with a ECN or a date break.

### ORDERING PARTS:

When ordering replacement parts, give the unit serial number, part number, name of part and quantity required.

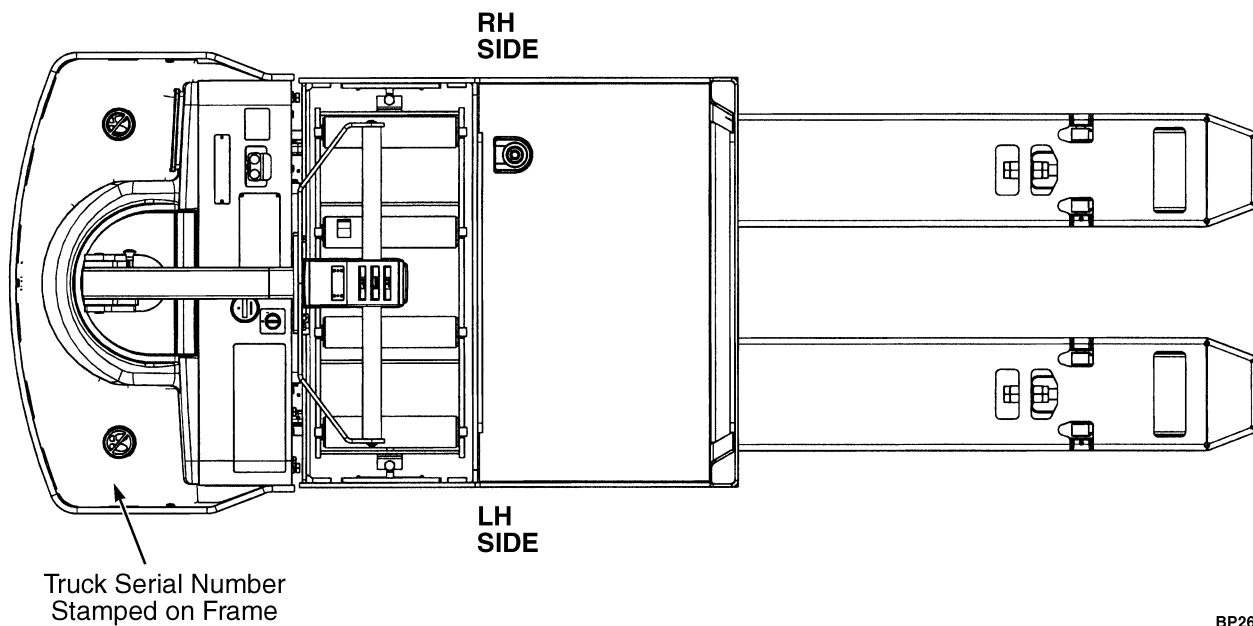
For any further information on parts, service, or ordering, consult your local dealer for Hyster lift trucks.

## IDENTIFICATION OF TRUCK SERIAL NUMBERS



- (1) and (2) The first letter and three numbers indicate the truck unit code.
- (3) The second letter indicates the plant of manufacture.
- (4) The four or five digit number indicates the production sequence number of the truck.
- (5) The final letter indicates the year of manufacture starting with "A" in 1957, 1980, and 2003.  
The letters "I", "O", and "Q" will not be used.

For pending serial numbers contact your local dealer for Hyster lift trucks.



BP260010

Parts referred to in this book as right or left hand parts are in accordance with the illustration above.

**PUBLICATIONS**

Every new lift truck is provided with an OPERATING MANUAL. This manual has information that the operator must know for inspection and operation of the lift truck.

SERVICE MAINTENANCE MANUALS, which provide service and overhaul procedures, and PARTS

MANUALS with complete replacement part identification, are available at a nominal fee from your Hyster dealer to assist users in effectively maintaining Hyster lift trucks in a safe, useful condition. See the list below for information on ordering specific publications for this model lift truck.

<b>PUBLICATION</b>	<b>HYSTER PART NUMBER</b>
Operating Manual.....	1524191
Service Manual (Complete).....	1524194
Parts Manual.....	1524192



1

FRAME/DRIVE UNIT

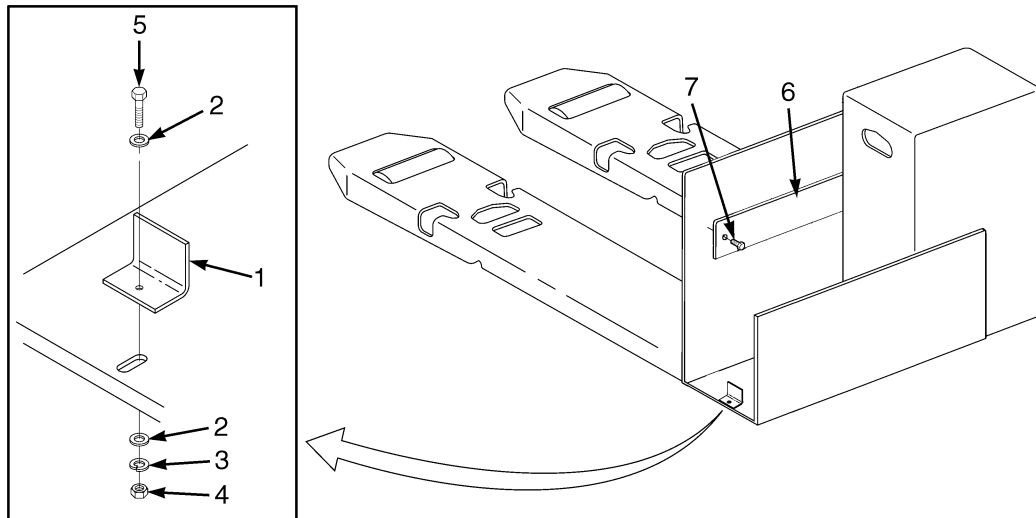


**SECTION 1  
FRAME/DRIVE UNIT**

DESCRIPTION	PAGE
BATTERY COMPARTMENT	
GALVANIZED - A479 .....	1-2
BATTERY RETENTION .....	1-7
CASTER .....	1-8
COVERS AND FLOORMATS .....	1-6
LABELS AND MANUAL .....	1-4
MASTER DRIVE UNIT	
A478 .....	1-10
A479 .....	1-12
A479 (6/2008 →) .....	1-26
MASTER DRIVE UNIT ASSEMBLY	
A478 .....	1-14
A479 (→ 3/2004) .....	1-18
A479 (3/2004 ↔ 6/2008) .....	1-22



## BATTERY COMPARTMENT (FIGURE 1-1) GALVANIZED — A479



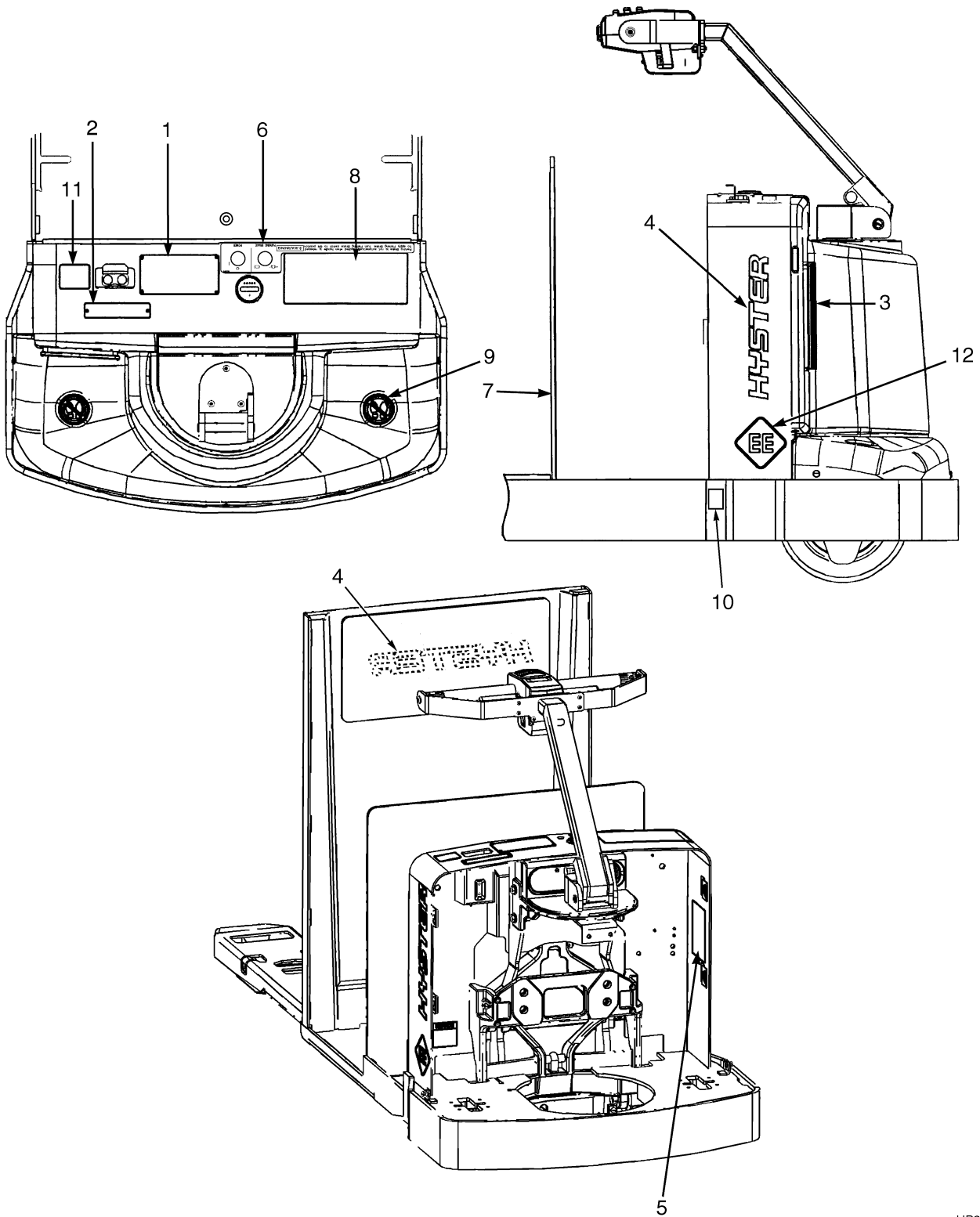
BP260038

---

<b>ITEM</b>	<b>PART NO.</b>	<b>DESCRIPTION</b>	<b>QTY</b>
1	2080657	Bracket .....	2
2	15178	Washer .....	2
3	15158	Washer .....	2
4	15058	Nut .....	2
5	18588	Capscrew .....	2
5	2090812	Plate .....	1
6	236866	Capscrew .....	2

---

## LABELS AND MANUAL (FIGURE 1-2)



HP260025

**LABELS AND MANUAL**

ITEM	PART NO.	DESCRIPTION	QTY
1	. . . . .	Nameplate (Contact Your Dealer) .....	1
1	389688	Nameplate Cover .....	1
1	2307400	Rivet .....	4
2	<b>a</b> 325956	U.L. Plate (U.L. Inspection-Type EE) .....	1
3	1524191	Operator Manual .....	1
4	1529042	Label (Hyster) .....	3
5	1534660	Label (Patents and Trademarks) .....	1
6	2063906	Label (Power and Parking Brake) .....	1
7	2307359	Label (High Speed) .....	1
8	2053015	Label (Warning) .....	1
8	2106479	Label (Warning) (Alternate Part) .....	1
9	2053454	Label (No Step) .....	2
10	2305689	Label (Pinch Warning) .....	2
11	<b>b</b> 2044484	Label (Battery Discharge Notice - Flooded Battery) .....	1
12	<b>a</b> 196927	Label (UL Type EE) .....	1

**FOOTNOTES:**

**a** "EE" Construction

**b** BDI Option